

# Brass Padlocks

31022 / 310221

## Cylinder Padlock



ASSA ABLOY

### Application:

- For general use

### Specification:

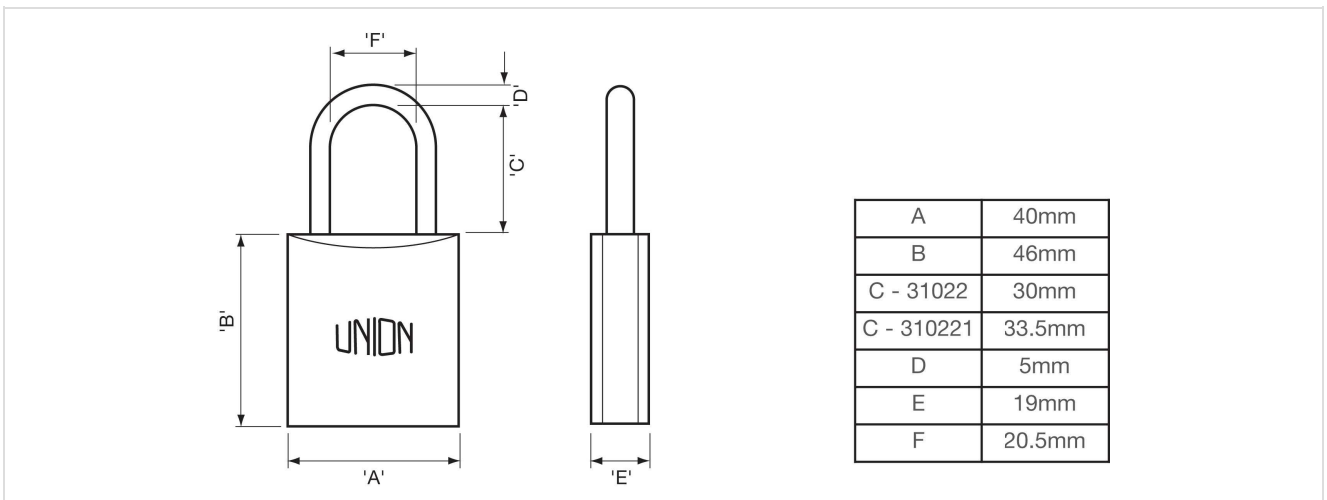
- Snaplocking, key required to unlock
- Non-key retention, shackle is spring loaded
- Shackle is retained when padlock is open
- Available with long shackle clearance for different applications (310221)
- Body Width: 40mm
- Body Material: Brass
- Shackle Material: Manganese bronze
- Cylinder Type: 5-pin tumbler mechanism
- Keying Groups: May be supplied standard differ, keyed alike, keyed to pass or masterkeyed. Supplied with 2 nickel silver keys
- Key Blank: KB502



### Finish:

- Brass body

### Technical Design:



### Variants:

Code	Description
JP31022-1.50	5-Pin Padlock, To Pass, 38mm
JM31022-1.50	5-Pin Padlock, Master Keyed, 38mm
JP310221-1.50	Extended Shackle Padlock, To Pass, 38mm